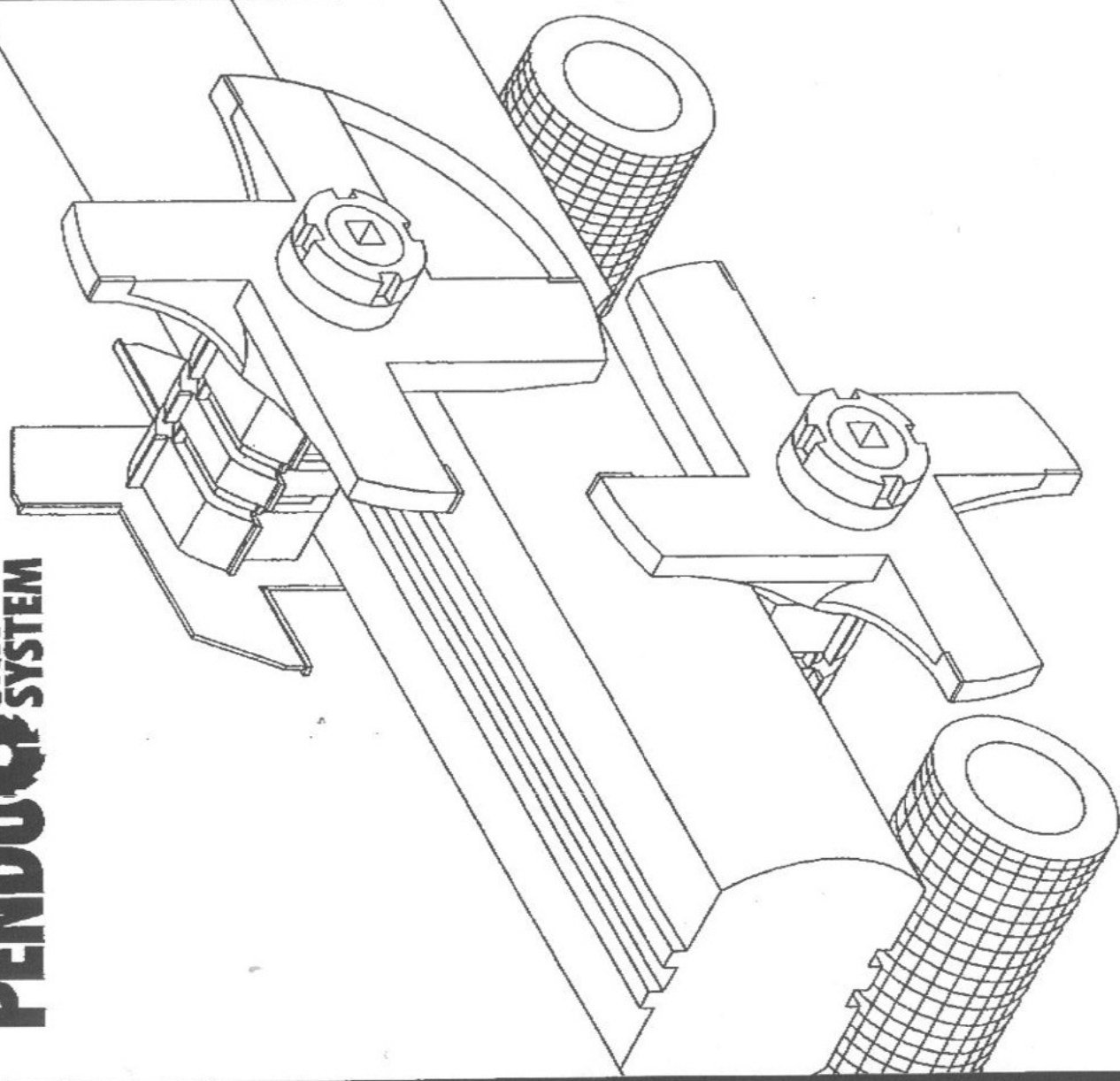


Tooling Pattern Booklet

PROFILES For **PENDU** SAW SYSTEM



780 928-3878

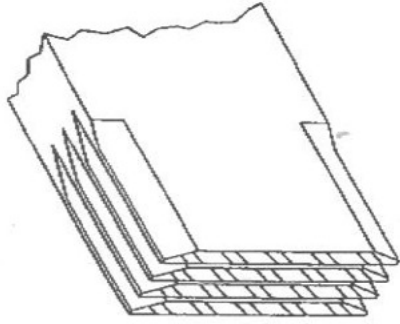


DESIGNERS MANUFACTURERS OF SPECIALIZED EQUIPMENT

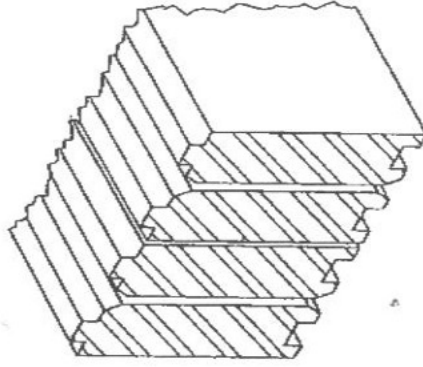
718 North Shirk Road • New Holland, Pennsylvania • 17557
USA & Canada 800-233-0471 • 717-354-4348 • FAX: 717-355-2148
Email: info@pendu.com • <http://www.pendu.com>

Special Possibilities

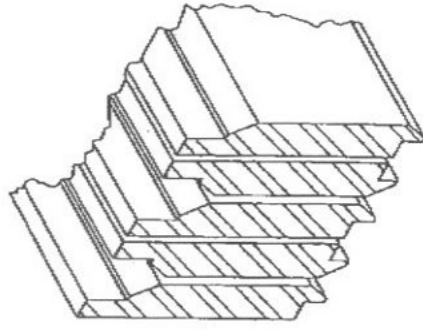
Dimensions can be altered to meet many needs.



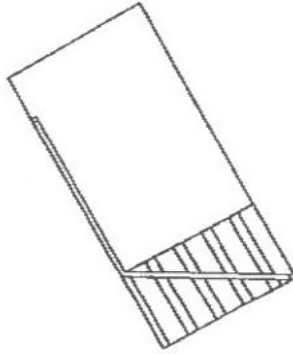
Special Chamfered Boards



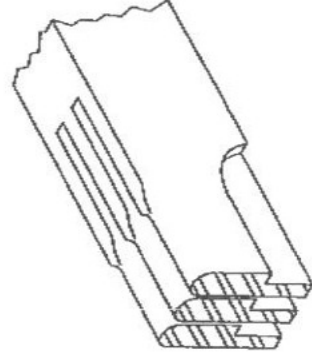
Tongue & Groove



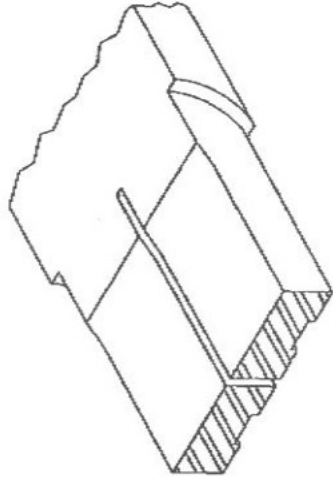
Ship Lap Boards



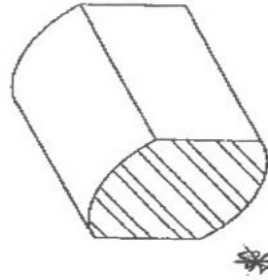
Fruit Box Corners from Square Cants



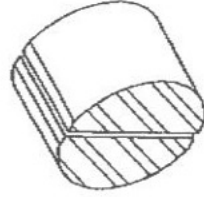
Special Applications



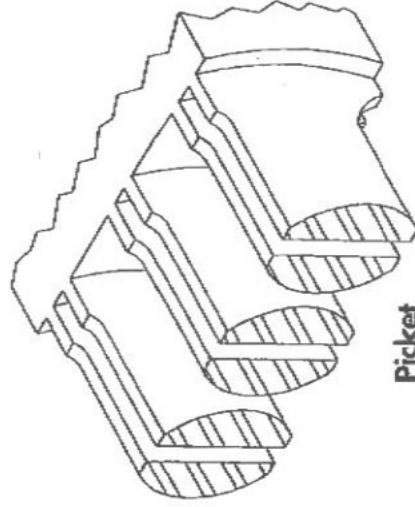
Dunnage Possibilities from Cants or Boards



Landscape Timbers from Peeler Cores



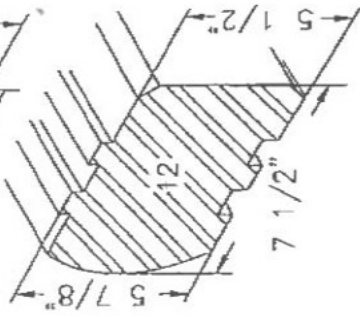
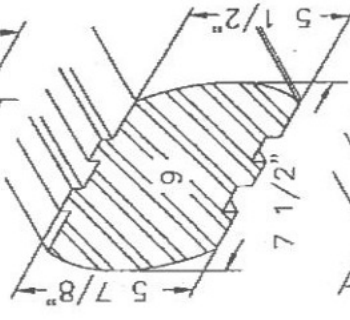
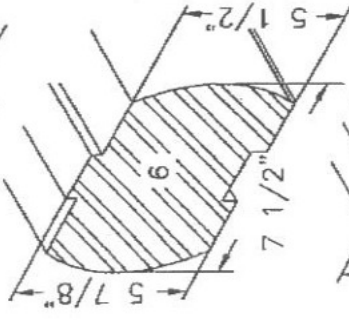
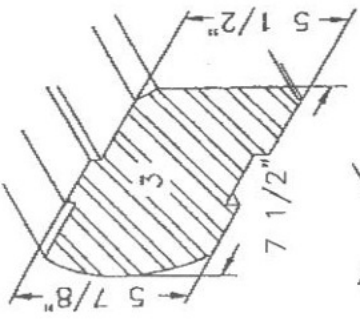
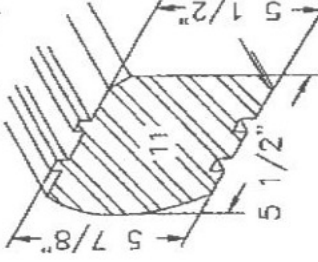
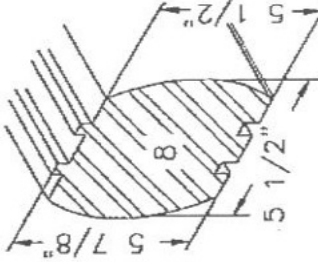
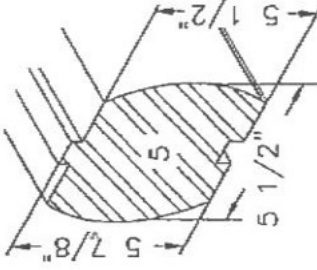
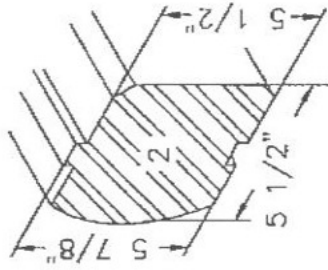
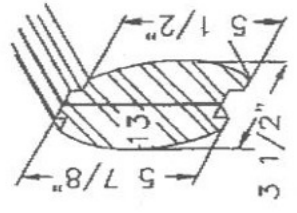
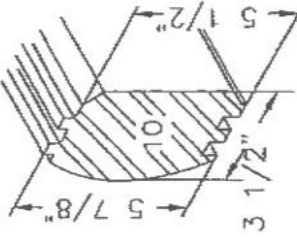
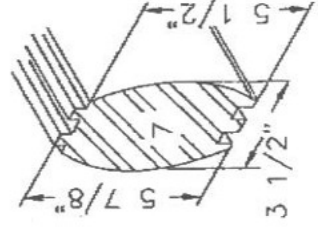
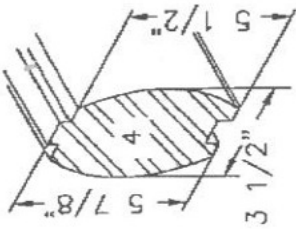
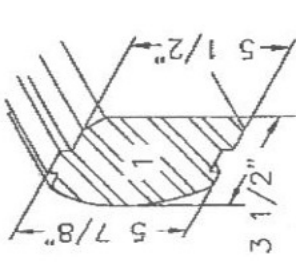
Picket Fence Slats from Peeler Cores



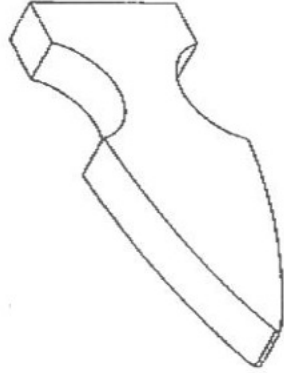
Picket Fence Slats

Universal Log Home Tooling

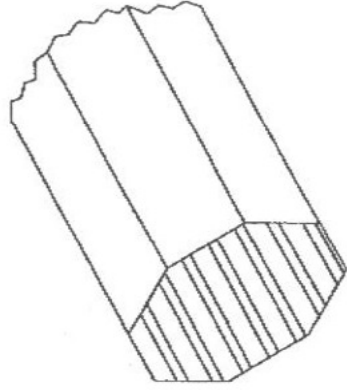
TOOLING PATTERN BOOKLET



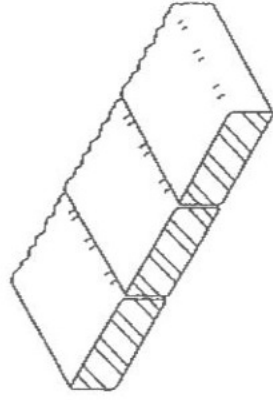
A complete universal set will produce all of these shapes.
Tooling is available in 6", 8" and 10" heights.
Individual patterns are available at a substantial savings.
For more information call Pendu today at 1-800-233-0471



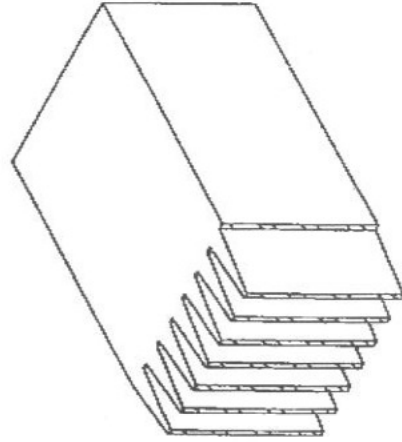
Fence Pointing



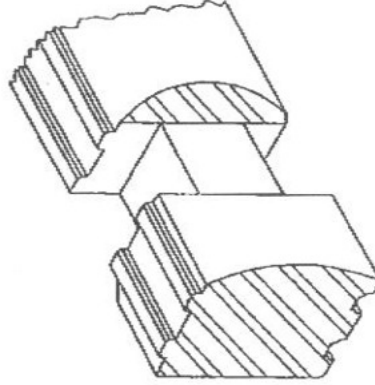
Octagonal Fence Post
from Cant or Peeler
Core



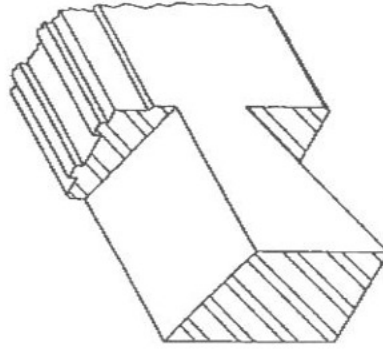
Remanning



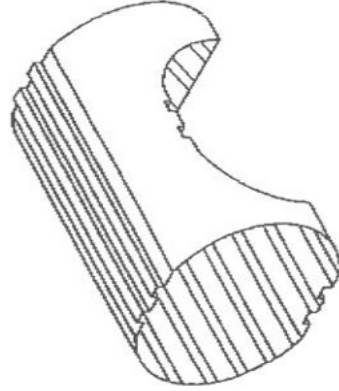
Finger Jointing



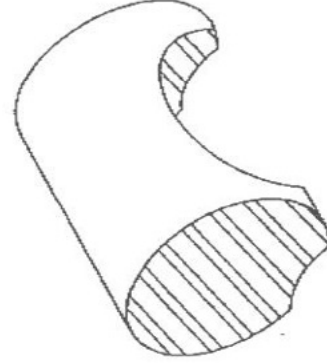
4 Sided Notches



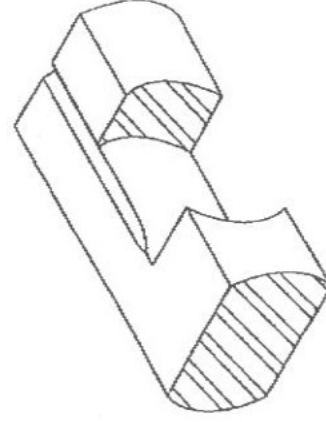
Dovetail Notches



Tongue & Groove
with Saddle Notch



Swedish Cope Logs
with Saddle Notch



Holesaw